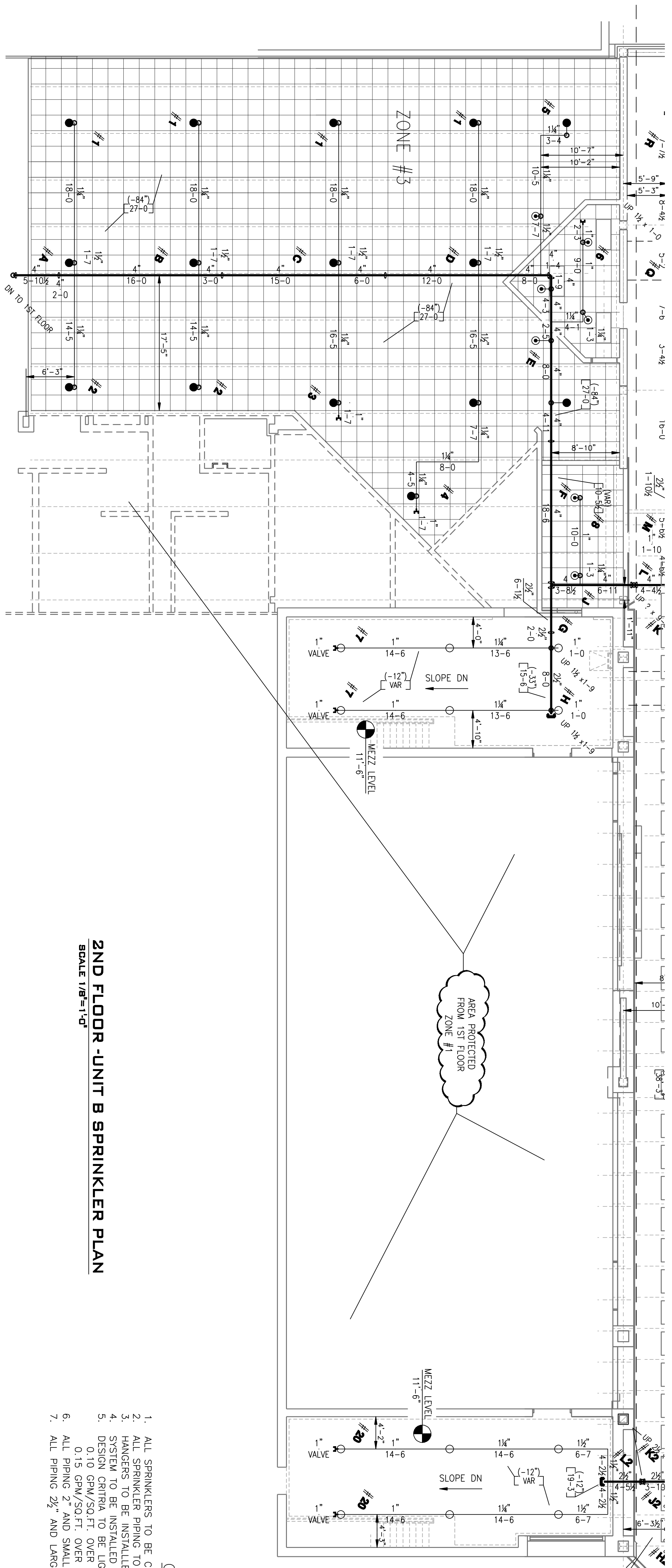


1ST FLOOR - UNIT B SPRINKLER PLAN  
SCALE 1/8"=1'-0"



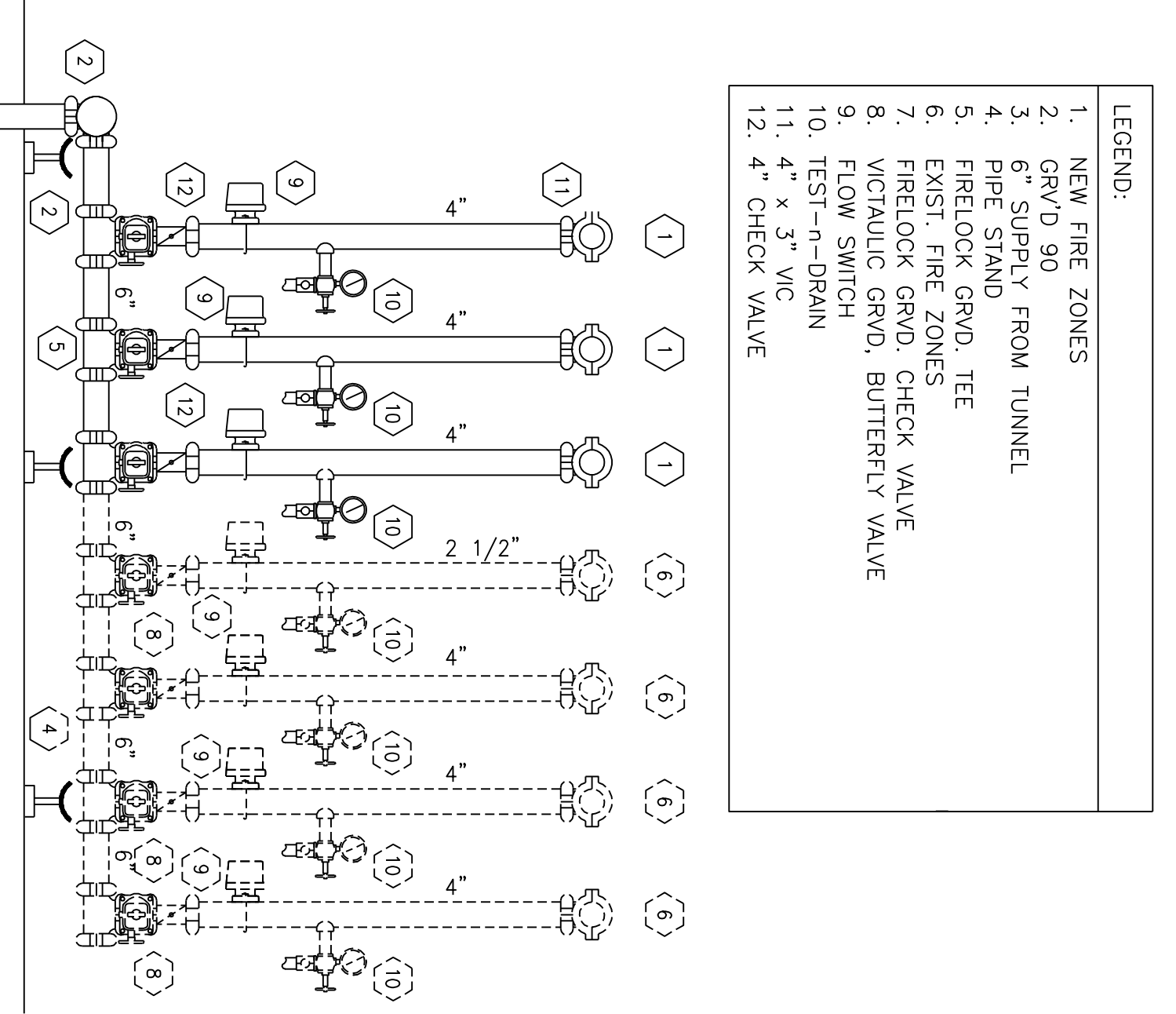
2ND FLOOR - UNIT B SPRINKLER PLAN  
SCALE 1/8"=1'-0"

**GENERAL NOTES**

- ALL SPRINKLERS TO BE CENTERED IN CEILING TILE (BOTH DIRECTIONS)
- ALL SPRINKLER PIPING TO HAVE LABELS AND MARKERS
- HANGERS TO BE INSTALLED AND LOCATED PER NFPA #13
- SYSTEM TO BE INSTALLED AND TESTED PER NFPA #13 AND AZADO GROUP 1.
- 0.10 GPM/50 FT. OVER 1500 SQ. FT. PLUS 100 GPM OF OUTSIDE HOSE
- 0.15 GPM/50 FT. OVER 1500 SQ. FT. PLUS 250 GPM OF OUTSIDE HOSE
- ALL PIPING 2" AND SMALLER TO BE SCH. 40 BLACK WITH C.I. FITTINGS.
- ALL PIPING 2 1/2" AND LARGER TO SCHEDULE 10 BLACK WITH GROVED FITTINGS.

**RISER DETAIL**

N.T.S.



- LEGEND:**
- NEW FIRE ZONES
  - GRID/90
  - SPRINKLER FROM TUNNEL
  - FIRELOCK GRD. TEE
  - EXIST. FIRE ZONES
  - FIRELOCK GRD. CHECK VALVE
  - VICI/AULC GRD. BUTTERFLY VALVE
  - FLOW SWITCH
  - FEST-DRAIN
  - 4" CHECK VALVE
  - 4" CHECK VALVE

NO. DATE		REVISIONS	
#	DATE	DESCRIPTION	BY/CHK

FLOW INFORMATION	
CITY STATIC PRESSURE	58 PSF
RESIDUAL PRESSURE	54 PSF
PIPE SIZING BASED ON	CALCS.
PUMP RATED CAPACITY	N/A GPM
RATED PRESSURE	N/A PSI

SYSTEMS DESIGN CRITERIA			
WET	<input type="checkbox"/> DRY	<input type="checkbox"/> DELUGE	<input type="checkbox"/> PRE-ACTION
SO. FI.	WMA	HARD SPRING	
HYDRAULIC CALCULATIONS			
DESIGN	50 PSI		

PIPE / FITTING MATERIAL			
UNES	SCH. 40 BLK STL	UNES	125 CAST IRON HUB
OTHER	OTHER	OTHER	OTHER

SPRINKLER HEAD SYMBOLS:			
1	ROSS OR THERM	RS RK43	RS
2	ROSS OR THERM	RS RK41	RS
3	ROSS OR THERM	RS RK41	RS
4	ROSS OR THERM	RS RK41	RS
5	ROSS OR THERM	RS RK41	RS
6	ROSS OR THERM	RS RK41	RS
7	ROSS OR THERM	RS RK41	RS
8	ROSS OR THERM	RS RK41	RS
9	ROSS OR THERM	RS RK41	RS
10	ROSS OR THERM	RS RK41	RS
11	ROSS OR THERM	RS RK41	RS
12	ROSS OR THERM	RS RK41	RS
13	ROSS OR THERM	RS RK41	RS
14	ROSS OR THERM	RS RK41	RS
15	ROSS OR THERM	RS RK41	RS
16	ROSS OR THERM	RS RK41	RS
17	ROSS OR THERM	RS RK41	RS
18	ROSS OR THERM	RS RK41	RS
19	ROSS OR THERM	RS RK41	RS
20	ROSS OR THERM	RS RK41	RS
21	ROSS OR THERM	RS RK41	RS
22	ROSS OR THERM	RS RK41	RS
23	ROSS OR THERM	RS RK41	RS
24	ROSS OR THERM	RS RK41	RS
25	ROSS OR THERM	RS RK41	RS
26	ROSS OR THERM	RS RK41	RS
27	ROSS OR THERM	RS RK41	RS
28	ROSS OR THERM	RS RK41	RS
29	ROSS OR THERM	RS RK41	RS
30	ROSS OR THERM	RS RK41	RS
31	ROSS OR THERM	RS RK41	RS
32	ROSS OR THERM	RS RK41	RS
33	ROSS OR THERM	RS RK41	RS
34	ROSS OR THERM	RS RK41	RS
35	ROSS OR THERM	RS RK41	RS
36	ROSS OR THERM	RS RK41	RS
37	ROSS OR THERM	RS RK41	RS
38	ROSS OR THERM	RS RK41	RS
39	ROSS OR THERM	RS RK41	RS
40	ROSS OR THERM	RS RK41	RS
41	ROSS OR THERM	RS RK41	RS
42	ROSS OR THERM	RS RK41	RS
43	ROSS OR THERM	RS RK41	RS
44	ROSS OR THERM	RS RK41	RS
45	ROSS OR THERM	RS RK41	RS
46	ROSS OR THERM	RS RK41	RS
47	ROSS OR THERM	RS RK41	RS
48	ROSS OR THERM	RS RK41	RS
49	ROSS OR THERM	RS RK41	RS
50	ROSS OR THERM	RS RK41	RS

**GRUNAUL COMPANY, LLC**  
AS-BUILT DRAWING

**PROJECT: LAWRENCE CENTRAL HIGH SCHOOL**  
INDIANAPOLIS, IN

APP. NO.	40834	DATE	7/1/2007
ENGINEER	BOR HARLOW	DRAWN BY	BH
CHECKED BY	BH	DATE	7/1/2007
SCALE	1/8"=1'-0"		
PROJECT	INDIANAPOLIS, IN		

**GRUNAUL**  
FIRE PROTECTION SYSTEMS  
4341 W. 96TH STREET  
INDIANAPOLIS, IN 46268

FP3 of FP6